

**PLEASE CHECK WWW.MOLEX.COM FOR LATEST PART INFORMATION**

**Part Number:** [0472490007](#)  
**Status:** **Active**  
**Description:** Stainless Steel Extractor for Camera Socket, 8x8 Type, Lead free

**Documents:**

[3D Model](#) [RoHS Certificate of Compliance \(PDF\)](#)  
[Drawing \(PDF\)](#)

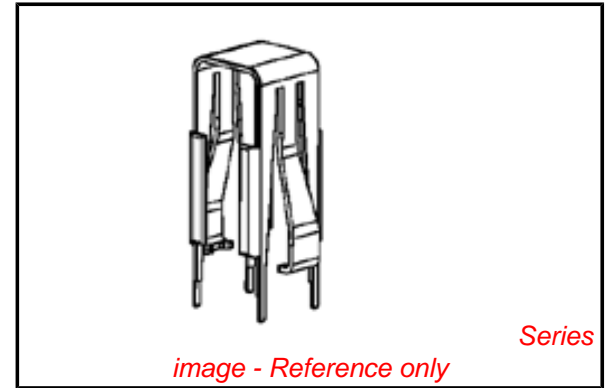
**General**

Product Family	Application Tooling
Series	47249
Function	Extraction
Geographic Area	Asia
Level of Automation	Manual
Product Name	N/A
Tool Type	Handtool

**Material Info**

**Reference - Drawing Numbers**

Sales Drawing	SD-47249-007
---------------	--------------



**EU RoHS**

**ELV and RoHS  
Compliant**  
**REACH SVHC  
Not Reviewed**  
**Halogen-Free  
Status**

**China RoHS**

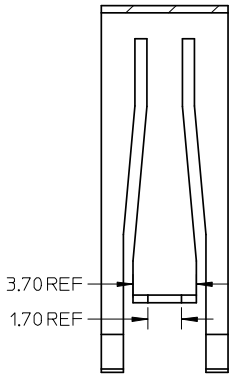
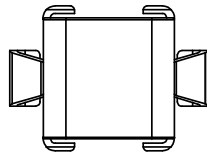


**Need more information on product  
environmental compliance?**

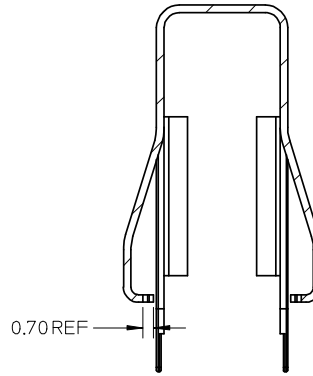
Email [productcompliance@molex.com](mailto:productcompliance@molex.com)  
 For a multiple part number RoHS Certificate of  
 Compliance, [click here](#)

Please visit the [Contact Us](#) section for any  
 non-product compliance questions.

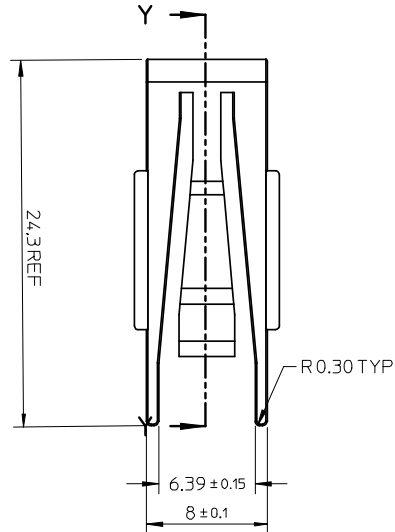
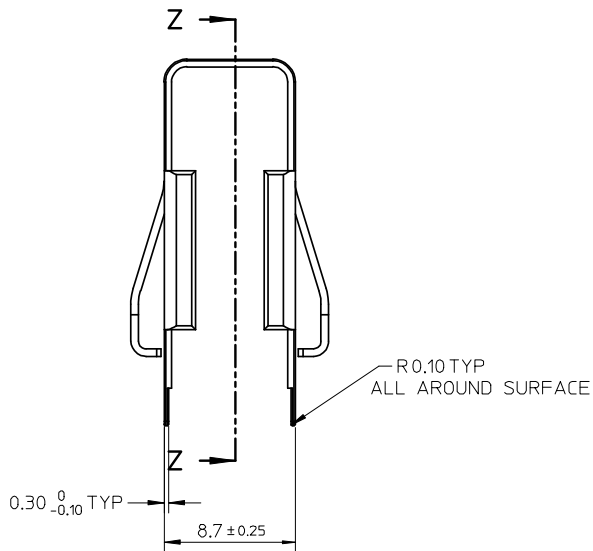
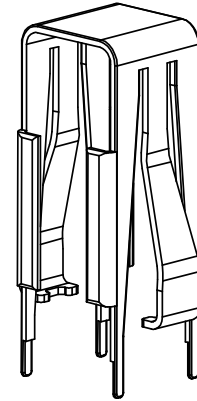
**Search Parts in this Series**  
[47249Series](#)



SECTION Z-Z



SECTION Y-Y



NOTE:

- 1.MATERIAL: 0.5MM STAINLESS STEEL SUS301H.
- 2.FINISH: NON-PLATING.
- 3.COMPLIANT TO RoHS DIRECTIVE 200/95/EC AND ELV 2000/53/EC

NEW RELEASE EC NO: SHZ008-04Z1 DRW:MSH CHKD:YLZHU APPR:HWANG	2008/02/22 2008/02/26 2008/03/20	DESCRIPTION REV	QUALITY SYMBOLS	GENERAL TOLERANCES (UNLESS SPECIFIED)	DIMENSION STYLE	SCALE	DESIGN UNITS	THIRD ANGLE PROJECTION
	$\nabla=0$ $\square=0$		mm INCH	MM ONLY	8:1	METRIC		
	4 PLACES ± --- ± --- 3 PLACES ± --- ± --- 2 PLACES ± 0.25 ± --- 1 PLACE ± 0.25 ± ---		DRAWN BY: IHE CHECKED BY: YLZHU APPROVED BY: HWANG	DATE: 2006/08/28 DATE: 2007/10/31 DATE: 2007/10/31	TITLE			
	ANGULAR ± 3 ° DRAFT WHERE APPLICABLE MUST REMAIN WITHIN DIMENSIONS		MATERIAL NO. 472490007	MOLEX INCORPORATED DOCUMENT NO. SD-47249-007	EXTRACTOR FOR 8X8 CAMERA SOCKET SHEET NO. 1 OF 1			